
Labor für Stahl- und Leichtmetallbau GmbH

Leitung: Prof. Dr. - Ing. Ö. Bucak
Aninstitut der Hochschule München
Fakultät 02 Bauingenieurwesen / Stahlbau



Römerstraße 23, 86438 Kissing
Tel.:0049 08233 24699 52; E-mail: info@laborsl.de

Bay 27

General building-authority test certificate

Test certificate number: P-2023-3018

Object: linearly mounted safety glazing

Intended purpose: Barrier according to DIN 18008-4
Administrative instructions Technical Building Regulations
(VV TB Bln) Version 2022/04
Type of construction acc. to C 4.12

Barrier category: B

Systems: TV9900
TV9900S
TV9900L
TV9900y

Applicant: Taysk Ltd.
Lale 9
BG - 4824 Borino

Date of issue: 08.03.2023

Valid until: 07.03.2028

This general building-authority certificate conforms that the object named above can be used in accordance with the State Building Code.

The general building-authority test certificate consists of 6 pages and 6 annex.



- I. General regulations 3
- II. Special regulations 3
 - 1 Object and scope of application 3
 - 1.1 Object 3
 - 1.2 Scope of application 3
 - 1.3 Basis of the test certificate 3
 - 2 Requirements for the design 3
 - 2.1 Description of the construction 3
 - 2.2 Test procedure to be used 4
 - 2.3 Use, maintenance and service 4
 - 3 Validity and specifications for dimensioning 5
 - 3.1 Area of application 5
 - 3.2 Dimensions 5
 - 4 Declaration of conformity 5
 - 5 Associated regulations 5
- III. Legal basis 6
- IV. Instruction on right to appeal 6



I. General regulations

1. The general building-authority test certificate does not replace the permits, approvals and certificates legally required for construction projects.
2. The general building-authority test certificate is issued without affect the rights, especially private property rights, of third parties.
3. Regardless of additional regulations under "Special regulations", the manufacturer of the design must provide the user of the construction with copies of the general building-authority test certificate and point out that the general building-authority test certificate must be available at the location of use. Upon request, the authorities involved must be provided with copies of the general building-authority test certificate.
4. The general building-authority test certificate must only be reproduced in its unshortened version. Publication in parts requires the approval of the Labor für Stahl- und Leichtmetallbau GmbH. Texts and drawings of advertising must not contradict the general building-authority test certificate. Translations of the general building-authority test certificate must contain the note "This translation of the German original version was not reviewed by the Labor für Stahl- und Leichtmetallbau GmbH".

II. Special regulations

1 Object and scope of application

1.1 Object

The object of the general building-authority test certificate are glass barriers according to administrative instructions Technical Building Regulations (VV TB Bln) Version 2020/07.

1.2 Scope of application

The object named above is used in accordance with DIN 18008-4, Additional requirements for barrier glazing according to **Category B**.

1.3 Basis of the test certificate

Basis for this test certificate is test report 2020-3078.

2 Requirements for the design

2.1 Description of the construction

2.1.1 Mounting

Lower linear support

The glass panes are fixed in U-shaped Aluminum profiles. There are profiles for top mounting (TV9900 and TV 9900L) and side mounting (TV9900S and TV9900L). The clamping depth of the



glass panes is about 100 mm. The clamping of the glass pane is obtained by setting the glass in plastic brackets. With the bracket on the inner side the glass is finally fixed with screws. Two brackets are used for a glass width of up to 800 mm. With a glass width of more than 800, 3 blocks are used. The drawings in annex 1 to 6 show the fixing system of both systems.

Load-bearing handrail

The upper edges of the panes must be connected with each other by a continuous handrail. In addition to the protection of the upper glass edge, the handrail must ensure that the planned capping load is carried safely at capping height even in case of a failure of one balustrade element.

2.1.2 Glazing

The following glass setups can be used:

Glass built up 1:

fully tempered glass	8,00 mm
Polyvinylbutyral-film (PVB-film)	0,76 mm
fully tempered glass	8,00 mm
overall thickness	16,8 mm

Glass built up 2:

fully tempered glass	10,00 mm
Polyvinylbutyral-film (PVB-film)	0,76 mm
fully tempered glass	10,00 mm
overall thickness	20,8 mm

Only glass products in accordance with DIN 18008-4 may be used. The glass and film thicknesses listed above may be exceeded. The fully tempered glass can be according to EN 12150 or 14179.

All glass constructions with intermediate layers with an appropriate general building-authority certificate may be used as laminated sheet glass.

2.2 Test procedure to be used

The test of the barrier function of the glazing was done according to Appendix A of DIN 18008-4. The bearing capacity under impact loading was tested for the standard dimensions of the described glazing using the pendulum impact test. The test results are documented in test report 2020-3078.

2.3 Use, maintenance and service

The construction must be mounted and secured using suitable measures in such a way that it meets the specified requirements as barrier permanently. The proof of secure anchoring of the glazing construction at the building must follow the applicable technical building regulations.



3 Validity and specifications for dimensioning

3.1 Area of application

The general building-authority test certificate is valid for the design described in section 2. The glazing has a barrier function according to category B. The admissible dimensions are shown in table 1 and 2.

Tabelle 1: dimensions

Glass built up	Width w [mm]		Glass height h [mm]	
	min	max	Min	max
1 – 2x8 mm	500	optional	500	1297
2 – 2x10 mm	500	optional	500	1472

The pane structure must correspond to the pane structure stated in section 2.1.2.

The regulations for category B glazing must - on principle - be observed in addition to the structure characteristics stated in section 2.1. The glass panes can deviate from a rectangle form according to DIN 18008-4, B.3

3.2 Dimensions

For the application, a calculated proof of bearing capacity under static load according to DIN 18008-4, section 6.1 must be provided for the glazing and mounting constructions.

4 Declaration of conformity

The design described in this general building-authority test certificate requires a declaration of conformity by the user (contractor) in accordance with the building code for Berlin (BauO Bln) §19. In this document, the contractor declares for the client that the described design complies with this general building-authority test certificate in all details.

5 Associated regulations

The provisions of DIN 18008-4, Additional requirements for barrier glazing, must be considered for the descriptions. Furthermore, the following standards and information sheets in their current version are referenced:

- [a] Building code for Berlin (BauO Bln) Version 2005/09
- [b] Administrative instructions Technical Building Regulations (VV TB Bln) Version 2018/04
- [c] DIN EN 14449; Glass in building - Laminated glass and laminated safety glass
- [d] DIN 572, Part 1-2; Glass in building - Basic soda lime silicate glass products
- [e] DIN 12150, Part 1; Glass in building - Thermally toughened soda lime silicate safety glass



- [f] DIN 14179, Part 1; Glass in building – Heat soaked Thermally toughened soda lime silicate safety glass
- [g] DIN 18545; Sealing of glazing with sealants
- [h] DIN 18008, Part 1-2; Glass in Building - Design and construction rules
- [i] Test report 2022-3044; impact test according to DIN 18008-4; Labor für Stahl und Leichtmetallbau GmbH

III. Legal basis

This general building-authority test certificate was issued based on § 19 of the building code for Berlin (BauO Bln) version 2005/09. If provided for in the corresponding building regulations, the general building inspection test certificate is also valid in other federal states.

IV. Instruction on right to appeal

This general building-authority test certificate can be appealed within one month after issue. The appeal must be submitted in writing or for recording at the Labor für Stahl- und Leichtmetallbau GmbH.

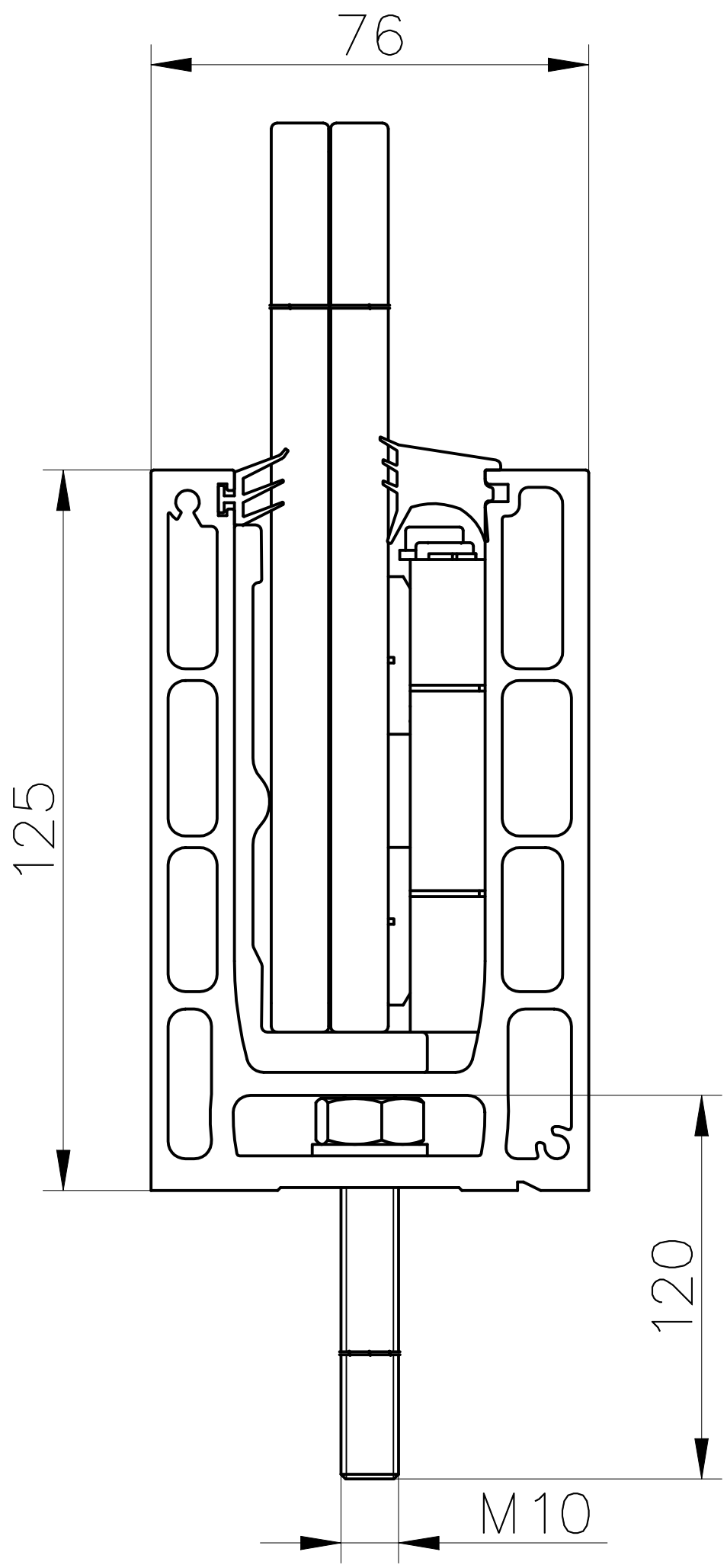
Kissing, 08.03.2023

For management and administration

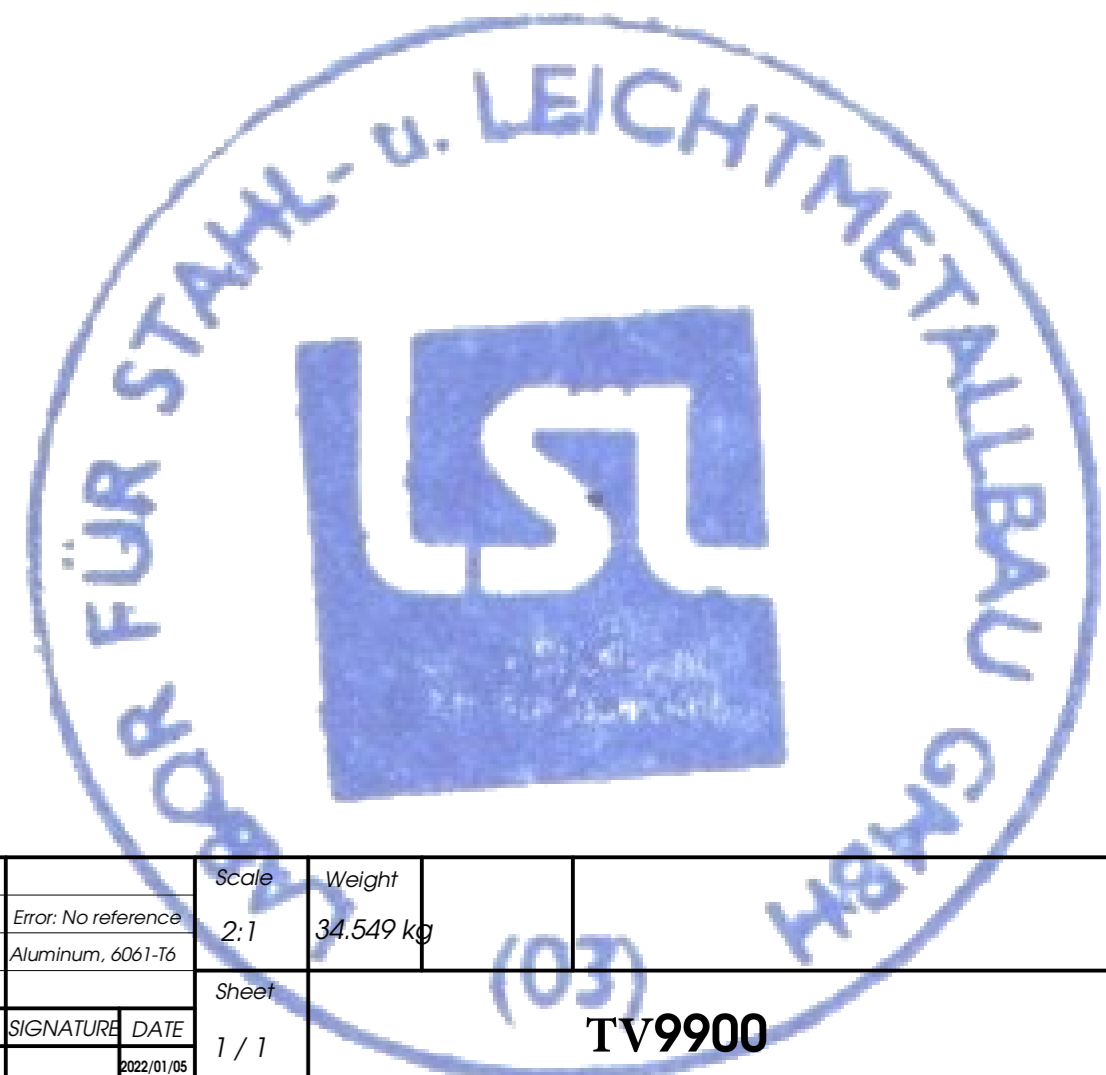
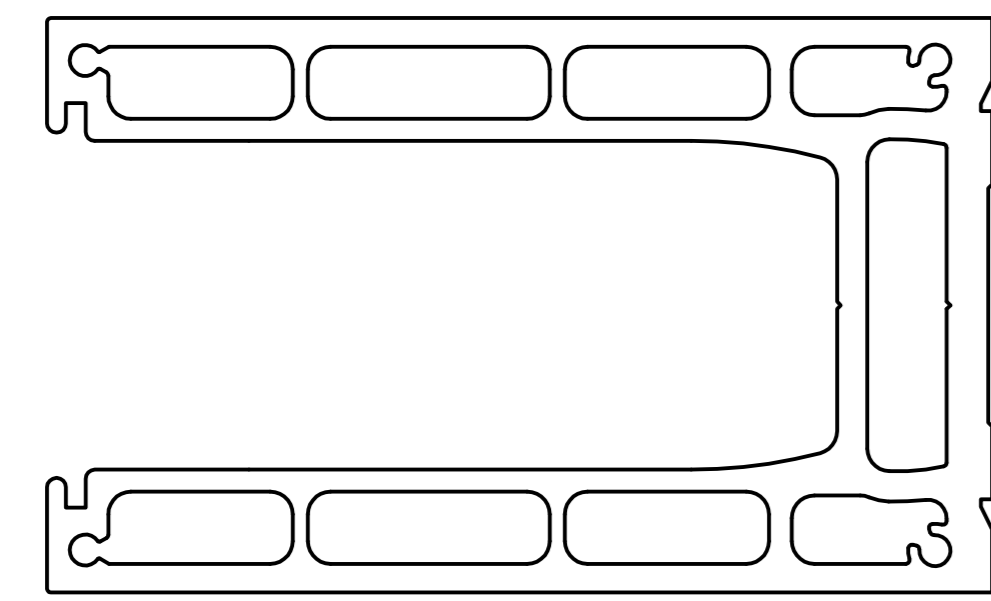
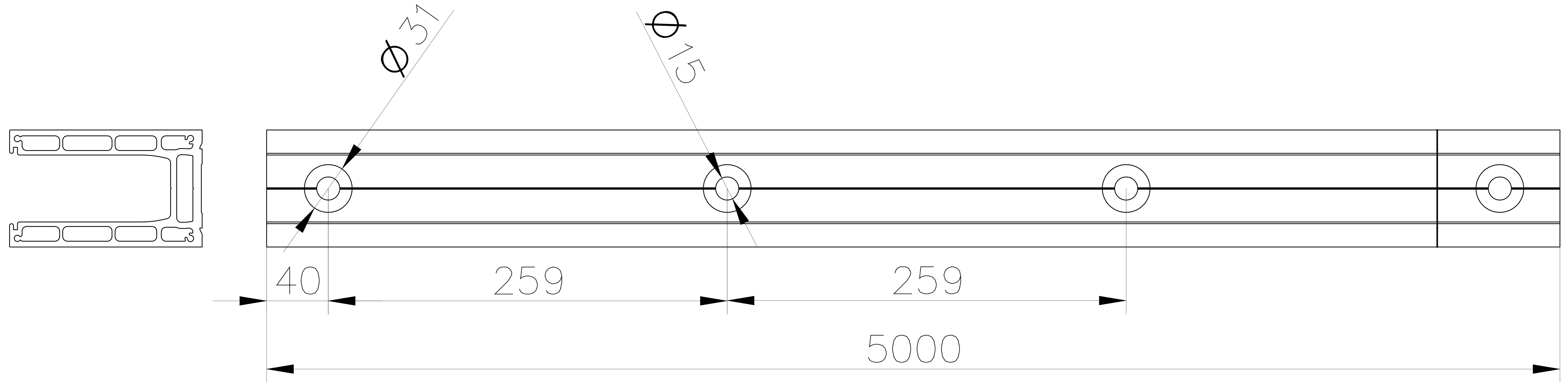
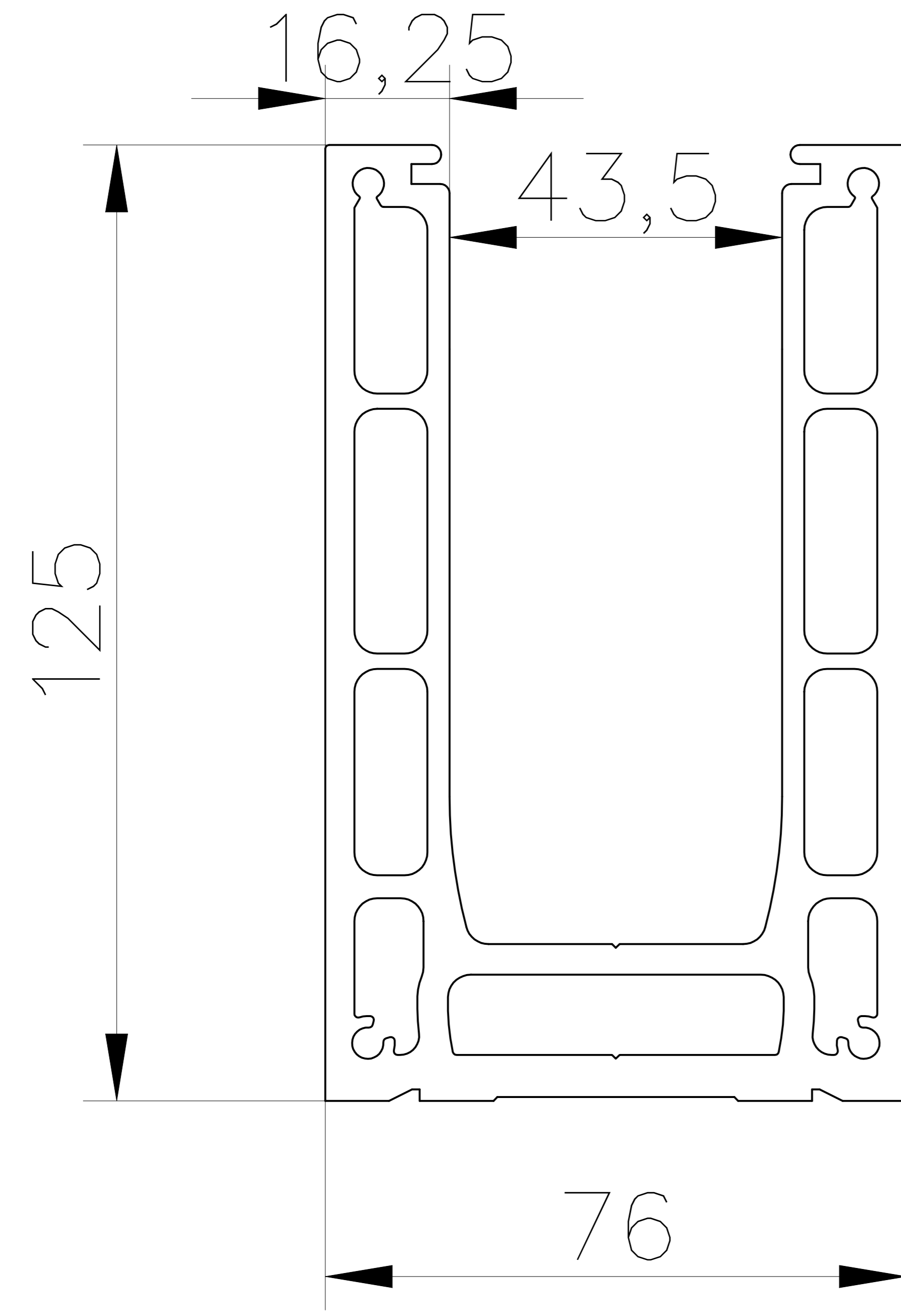


Dipl. -Ing. (FH) A. Lorenz

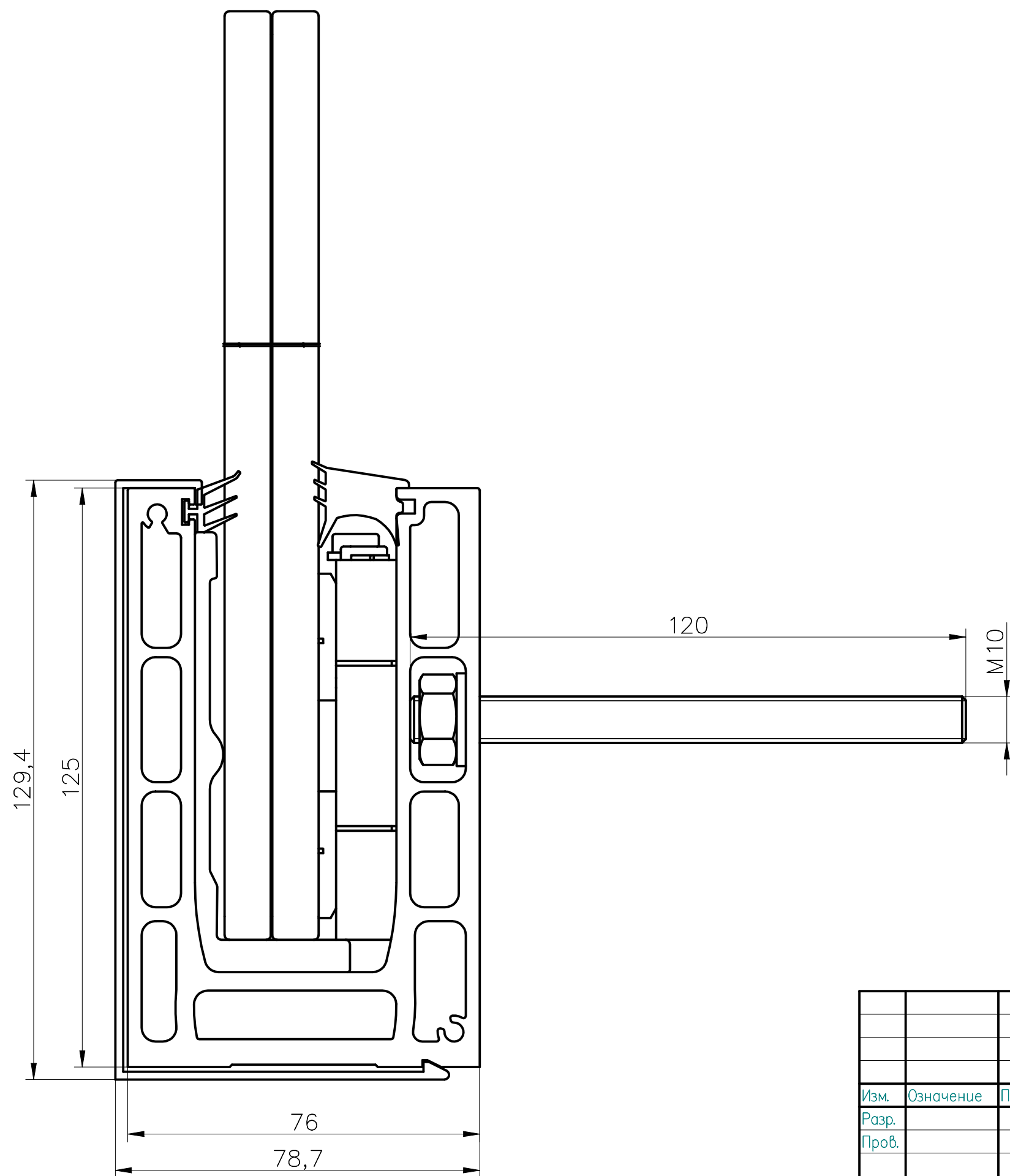




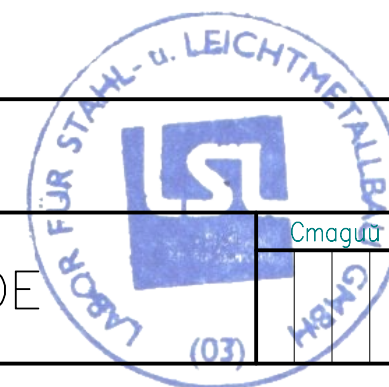
				Мащаб	Маса				
				1:1	0 kg				
				Лист	9900 TOP				
Изм.	Означение	Подпис	Дата	1 / 1					
Разр.			2020/11/05						
Проб.									

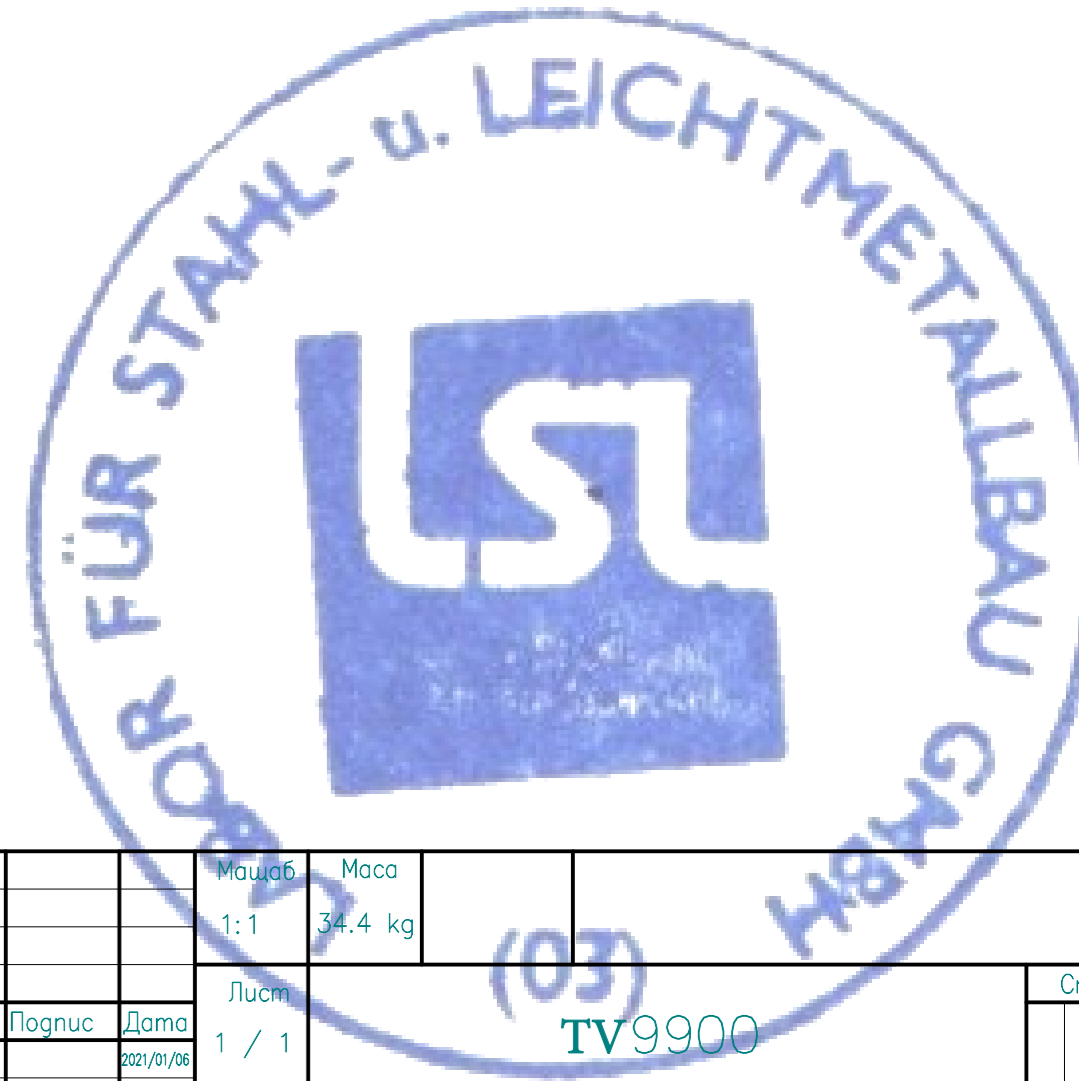
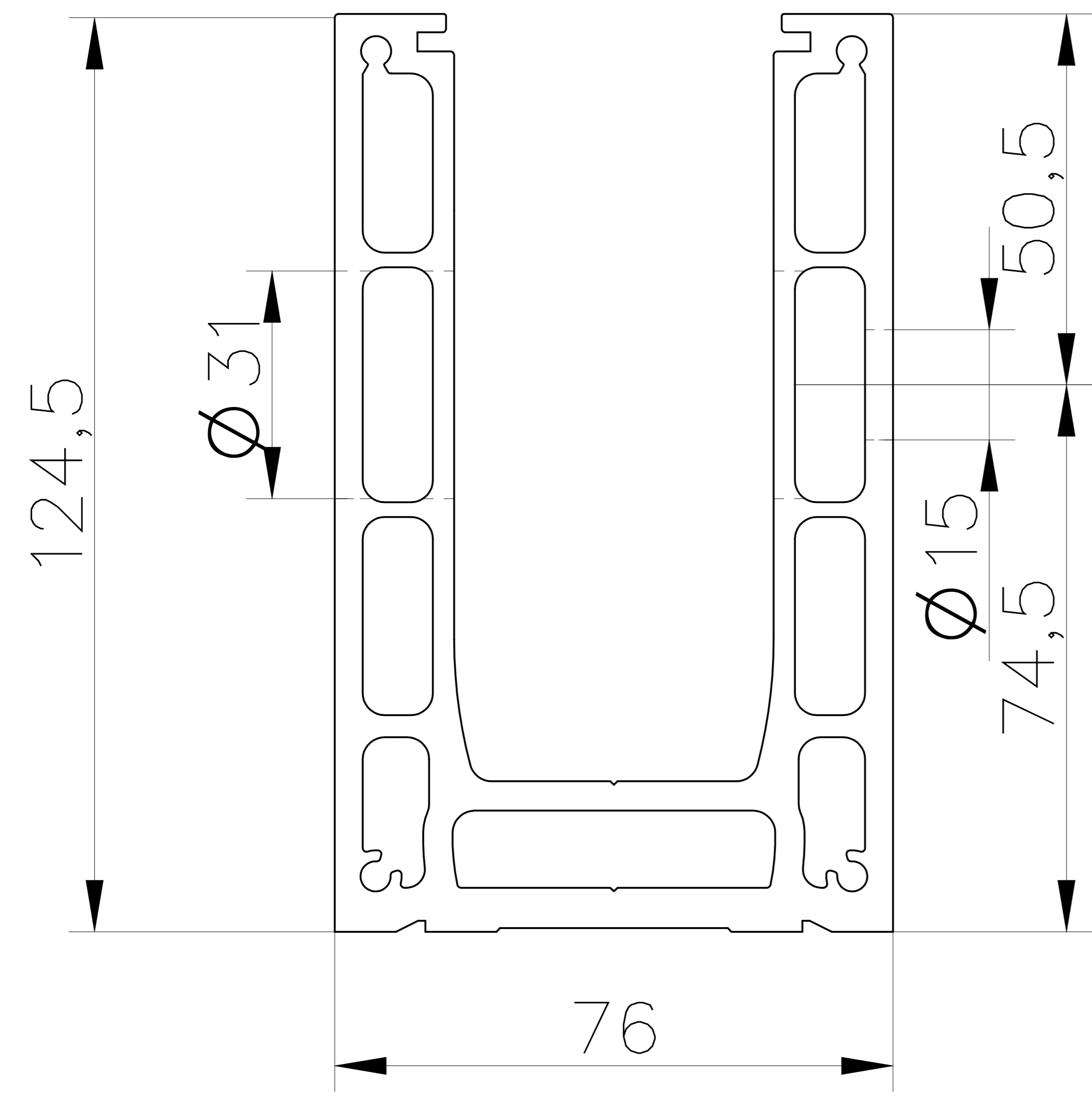
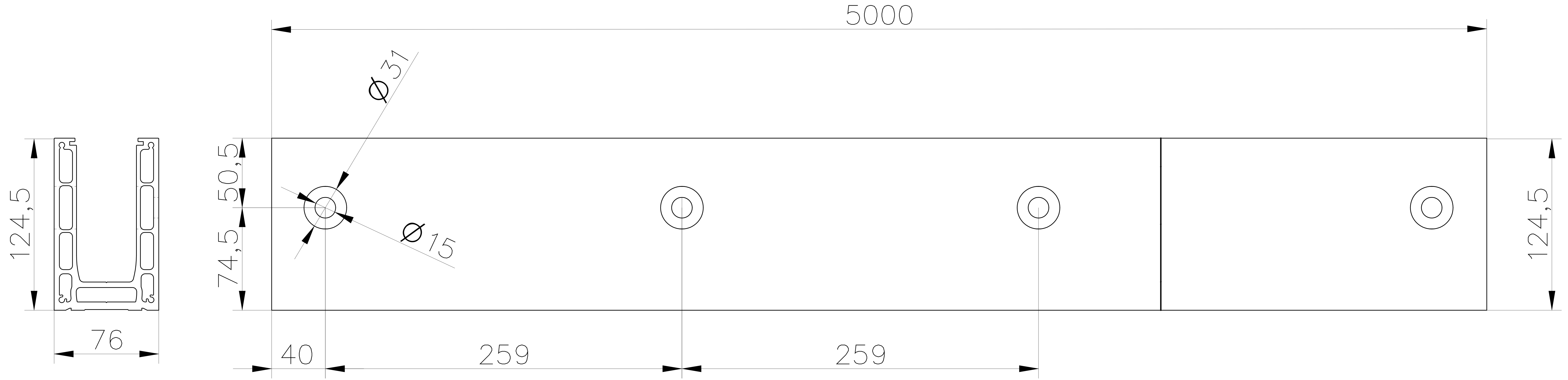


Tolerance	Area	Error No reference	Weight	2,1	34,549 kg
	Material	Aluminium, 6061-T6	Sheet		
	NAME	SIGNATURE	DATE	1 / 1	TV9900
DRW	Back				
APPV					
QA					

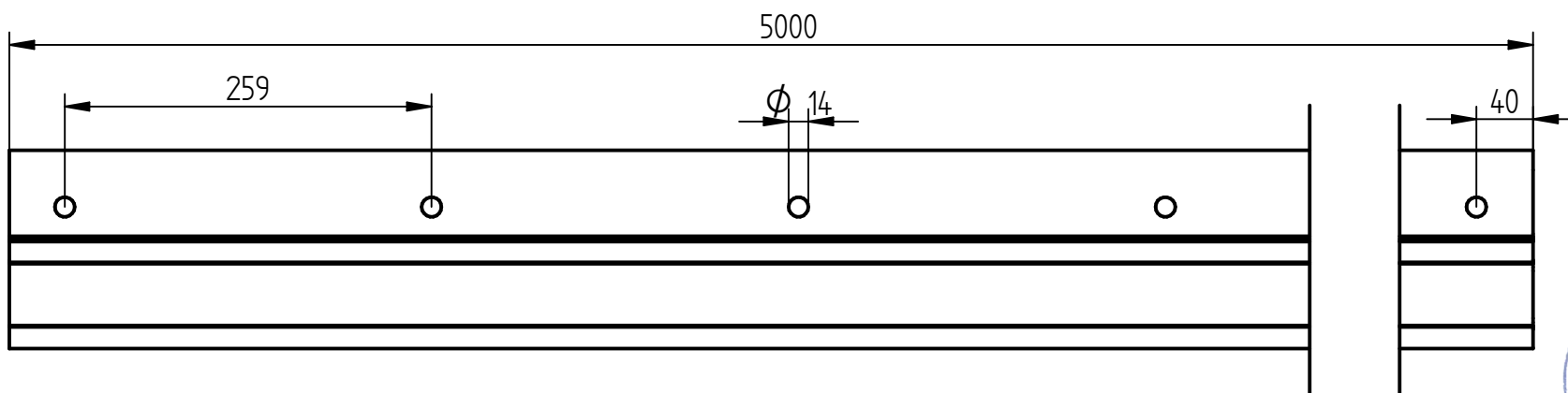
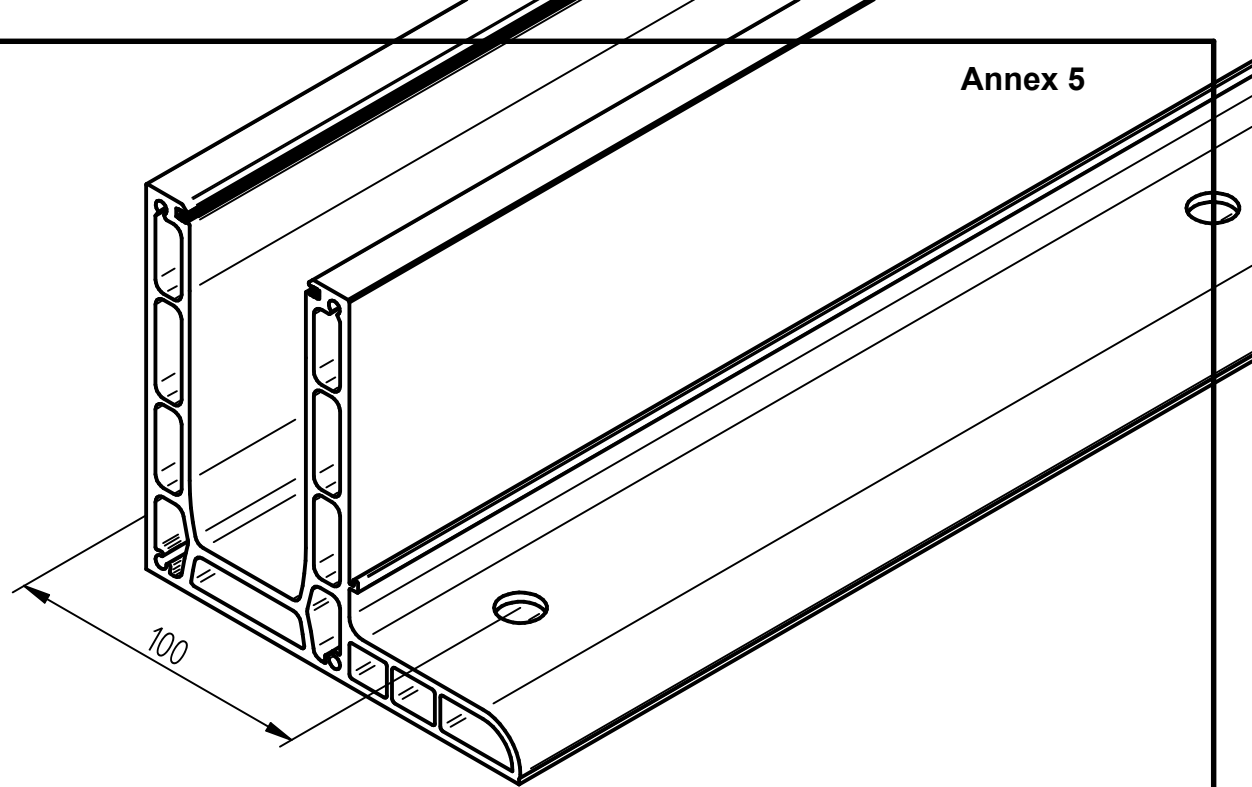
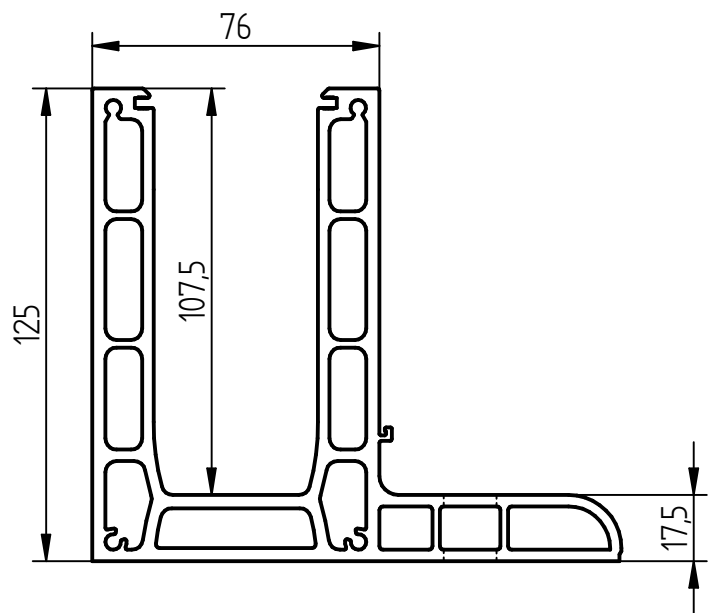


				Мащаб	Маса		
				1:1	0 kg		
				Лист	9900 SIDE		
				1 / 1			
Изм.	Означеніе	Подпис	Дата				
Разр.			2020/11/05				
Пров.							

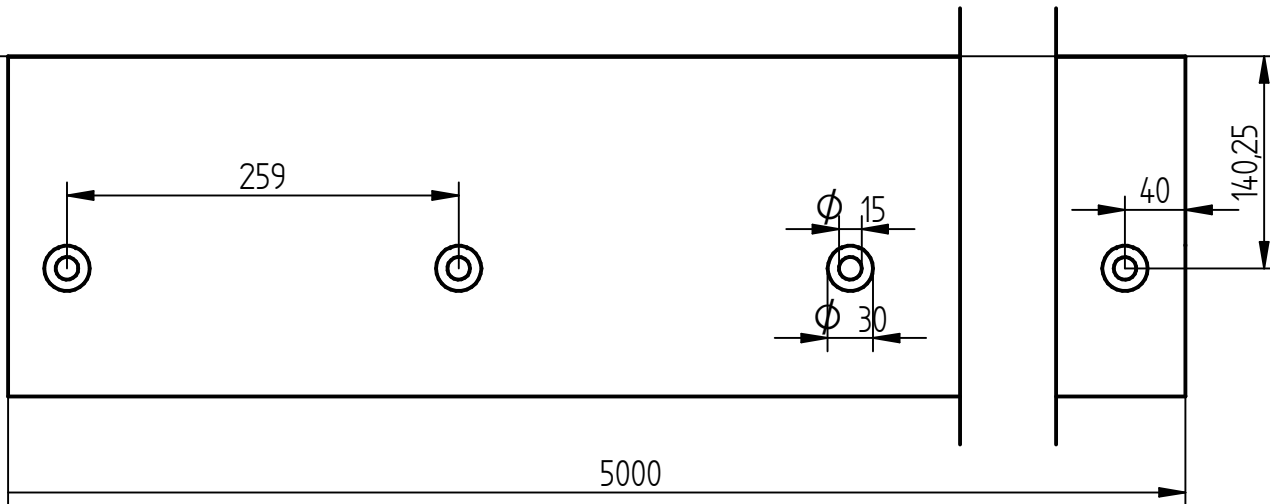
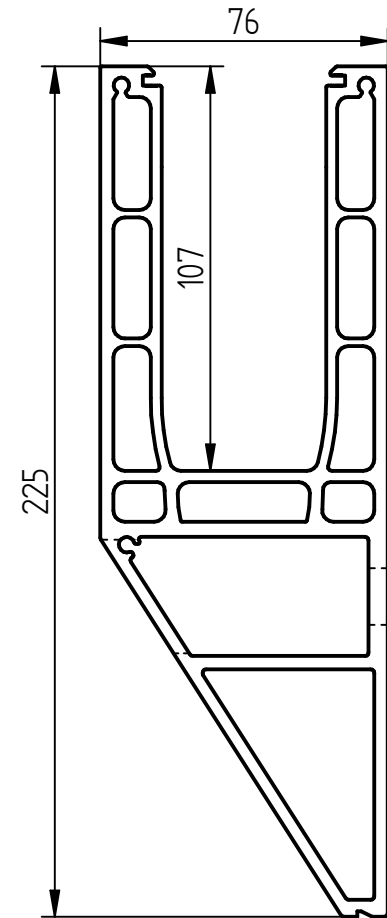
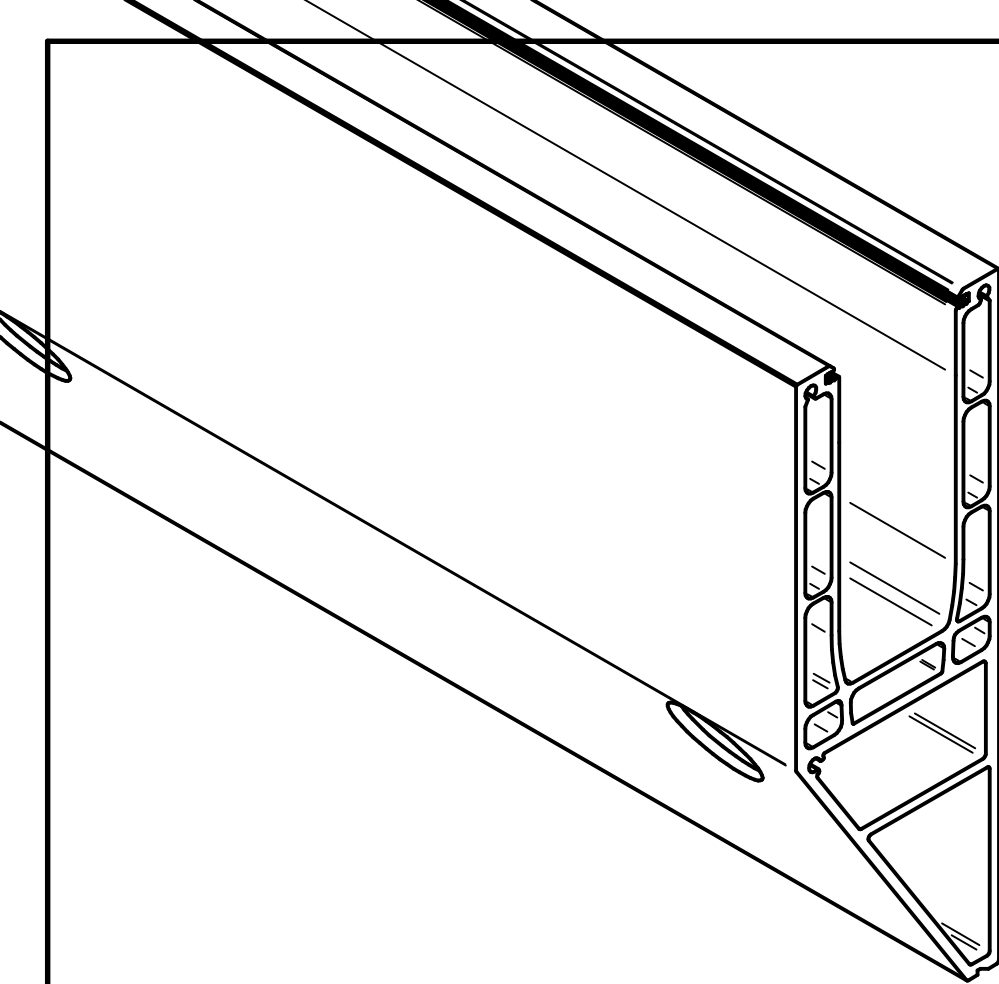




№	Изменения	№	Дата	Масштаб	1:1	Масса	4 кг
№	Изменения	№	Дата	Масштаб	1 / 1	Масса	4 кг
№	Изменения	№	Дата	Масштаб		Масса	
№	Изменения	№	Дата	Масштаб		Масса	



 <p>TAYSK VISION PREMIUM RAILING SOLUTIONS</p>	TITLE		
	TV9900L (03)		
	SIZE A4		
SCALE:1:2	WEIGHT:	SHEET 1 OF 1	



	TITLE		
	TV9900Y		
	SIZE A4		
SCALE:1:2	WEIGHT:	SHEET 1 OF 1	

